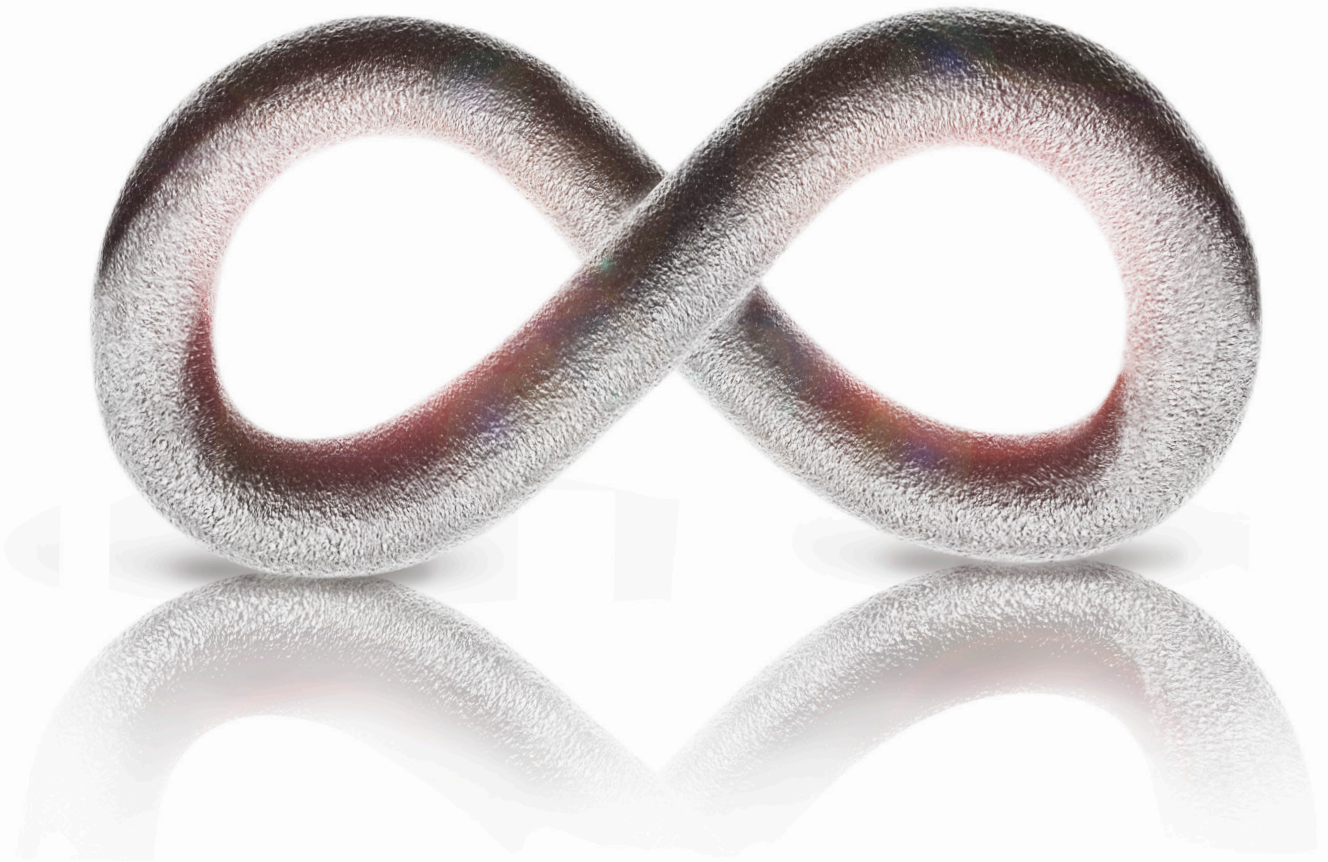




Suzuki Garphyttan

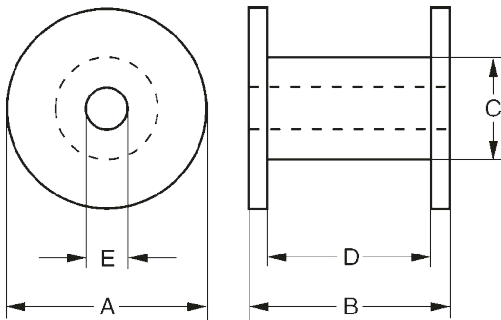
DELIVERY FORMS
COLD DRAWN SPRING WIRE



Delivery forms

Cold drawn spring wire

Our Cold drawn grades can be delivered as below:



Metal spools

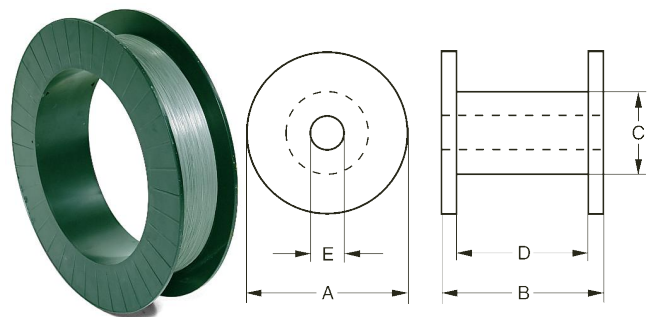
Wire Ø mm	Size, mm					Weight kg
	A	B	C	D	E	
0.41 – 2.00	695	314	400	279	33	approx. 125-250
1.50 – 3.00	770	445	400	400	33	max. 500



Plastic reels DIN 8559

Wire size: 0.25 – 1.10 mm

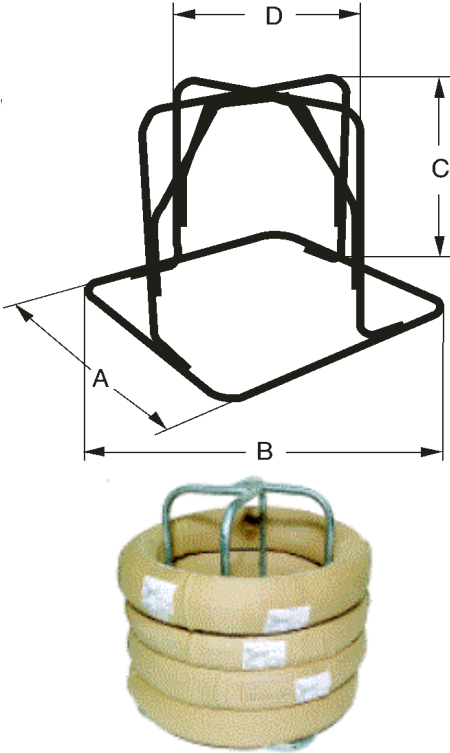
Wire size, mm	Type	Reel size, mm					Weight kg
		A	B	C	D	E	
0.25 – 0.35	SH 460	460	105	319	91	305	approx. 20
0.36 – 1.10	SH 460	460	105	319	91	305	approx. 40



Delivery forms

Carriers

Surface: galvanized



Wire size: >3.00 – 6.50 mm

Type	Delivery form Code	Size, mm				Tara weight abt. kg	Max weight abt. kg
		A	B	C	D		
Carrier 2	RM0004	800	1200	1000	540	17	500

Coils separately wrapped with paper

- on carrier (RM-codes)

"Increased weight allowances for carriers can be accommodated upon request"

Compact coils

With or without paper core

Size range: 2.00 - 6.50 mm

Z3
(2.00-6.50 mm)

Inner diameter: 500 mm

Weight: 450-900 kg



Rings

Wire size mm	Coil weight kg, approx.	Coil diameter mm, mean
2.00 – 3.50	100 – 250	400/600
3.51 – 6.50	500	600/750